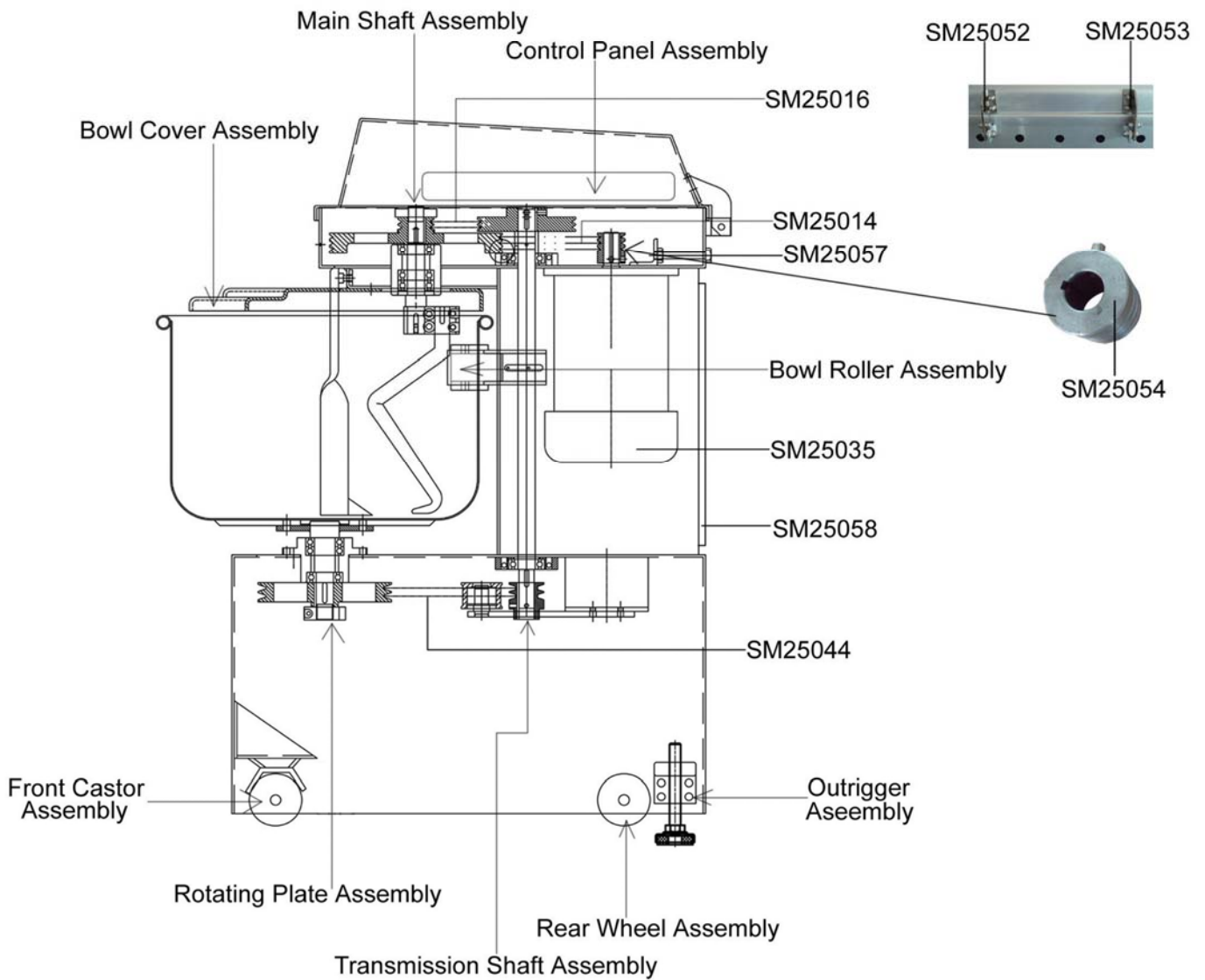
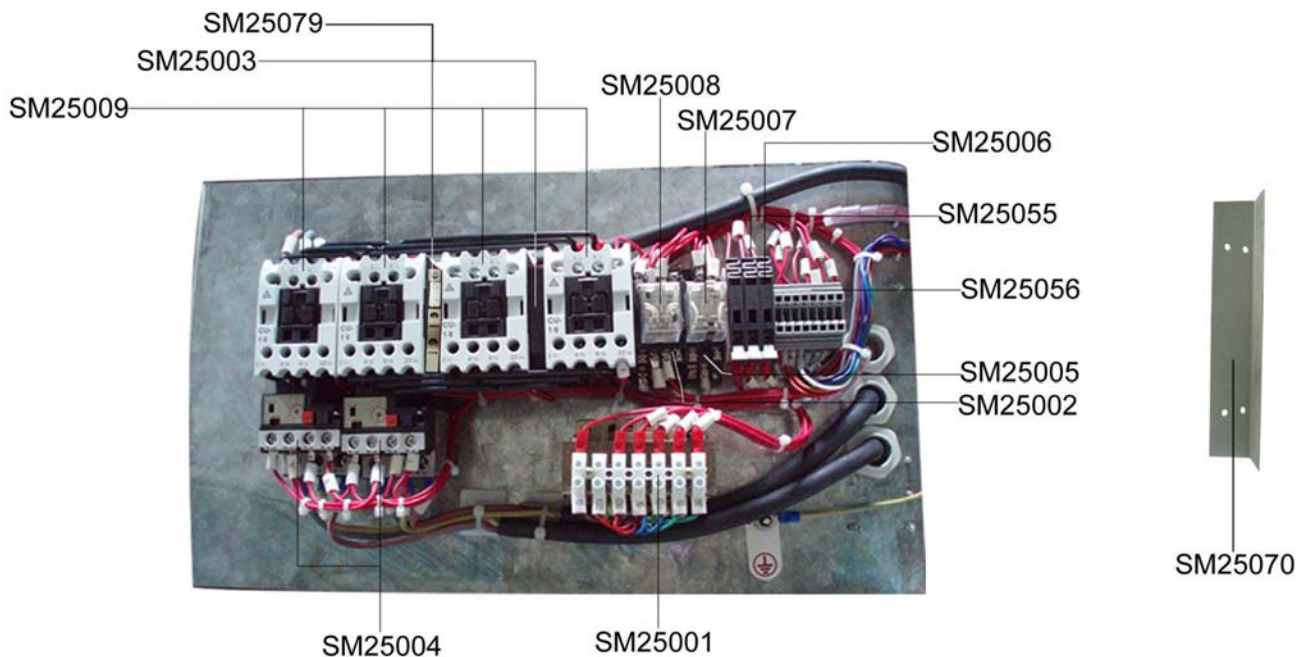


# SM-25 SPIRAL MIXER



## Control Panel Assembly



# SM-25 SPIRAL MIXER



## Main Shaft Assembly

SM25046



SM25020



SM25018



SM25017



SM25019

SM25059

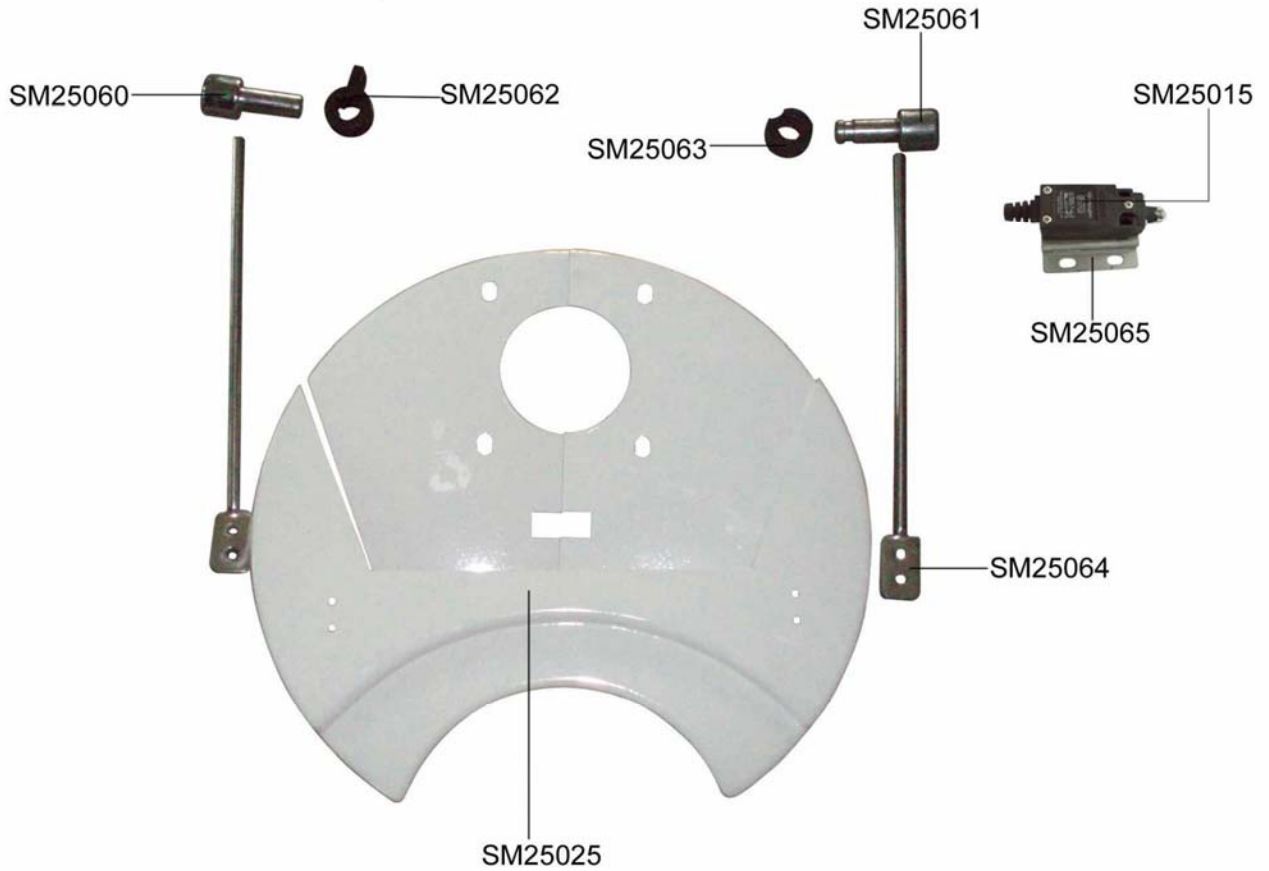


SM25021



# SM-25 SPIRAL MIXER

## Bowl Cover Assembly



## Front Castor Assembly

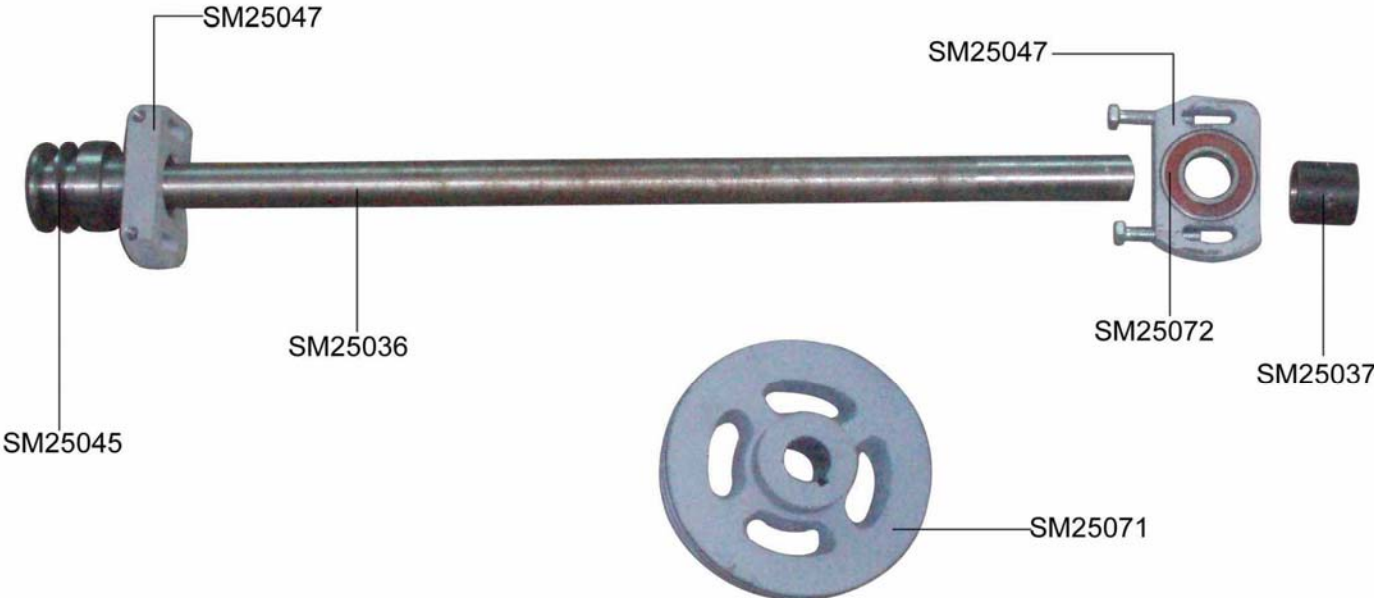


## Rear Wheel Assembly

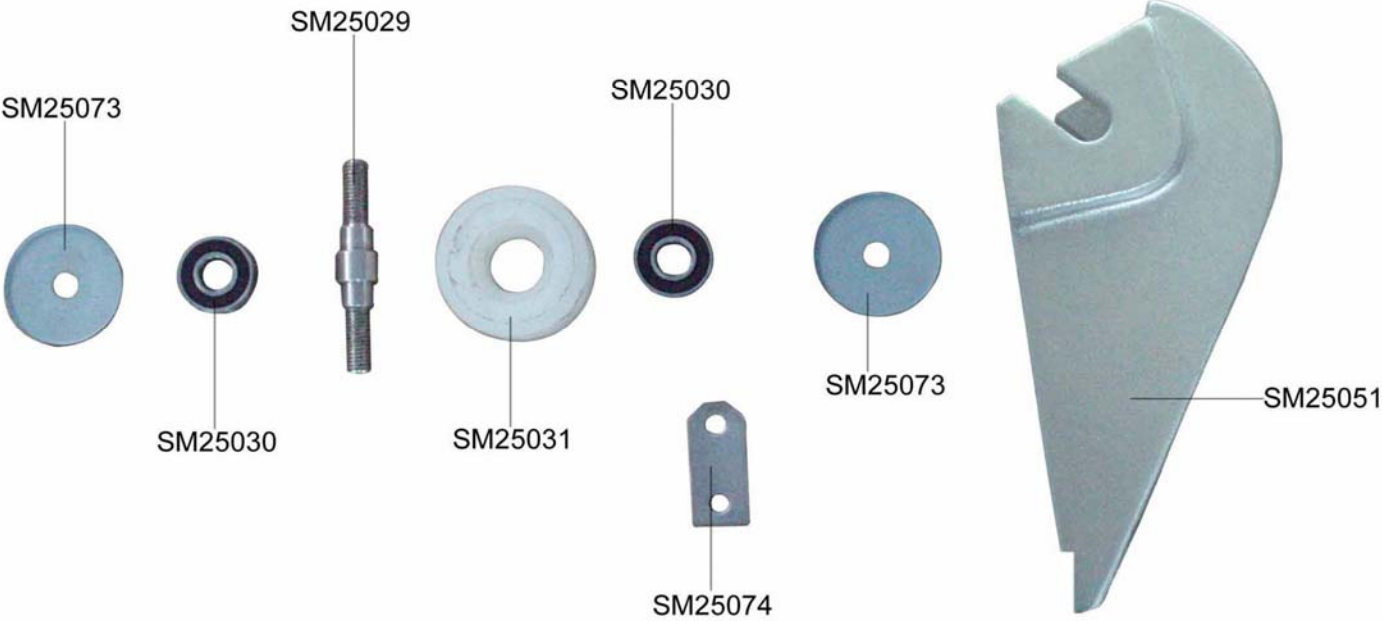


# SM-25 SPIRAL MIXER

## Transmission Shaft Assembly



## Bowl Roller Assembly



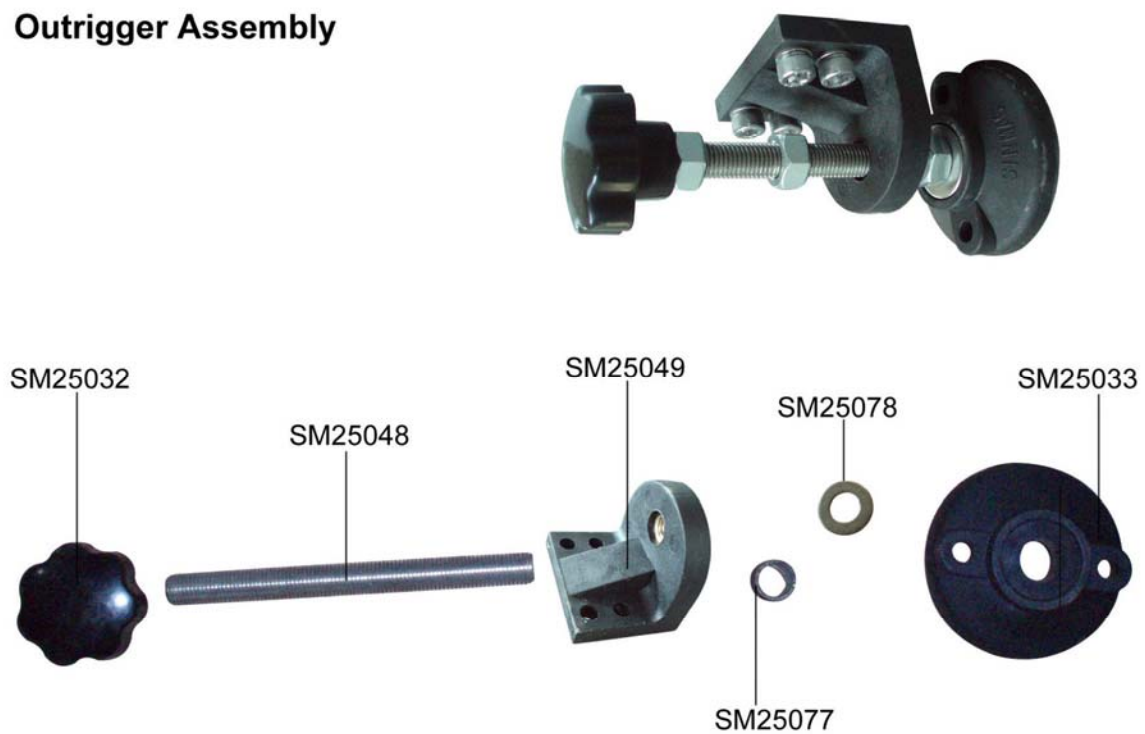


# SM-25 SPIRAL MIXER

## Rotating Plate Assembly



## Outrigger Assembly



Part Number	Part Code	Part Name	Specification
SM25001	16BYQJBK63-9	Transformer	200V-0V//110V-0V
	16BYQJBK63-1	Transformer	220V/380V-26V/110V(2A)
	16BYQJBK63-2	Transformer	415V-220V/110V/26V
	16BYQJBK63-3	Transformer	440V-230V/110V/26V
SM25002	16JDQPYPF-08	Relay Seat	
SM25003	16LSLCI-18	Mechanical Connector	
SM25004	16JDQRHN10A-3	Thermal Relay	
SM25005	16JDQPYPF-14	Relay Seat	
SM25006	16BXSG111B	Fuse Cover	
SM25007	16JDQMY2-24V	Relay	
SM25008	16JDQMY4-24V	Relay	
SM25009	16JCQCN16-1	Contactora	
SM25010	16KGLZB5-AD3	Selector Switch	
	16KGLZA-BD3	Manual Switch	
SM25011	16KGLBE101	Cover for Manual Switch	
	16KGLZA-BD3	Manual Switch	
SM25012	16M446-02	Seal for Digital Control Panel	
SM25013	16MBLOMX-003	Digital Control Panel	
SM25014	15PDL1060	Belt	7M-1060 (3PCS)
SM25015	16KGLMEA9112G	Microswitch	
SM25016	15PDL7M-630	Belt	7M-630 (2PCS)
SM25017	15ZCL6205VV	Bearing	
SM25018	14M375-01	Bush	
SM25019	15ZCL6205VV	Bearing	
SM25020	14M370-07	Main Shaft	
SM25021	15YFL30*52*8	Oil Seal	30*52*8
SM25022	16KGL3P20A	Power Switch	
SM25023	16KGLZA2-BS54	Emergency -Stop Switch	
SM25024	13M444-06	Top Cover of Machine	
SM25025	13M800-01	Safety Cover of Bowl	
SM25026	13M650-09	Center Pillar	
SM25027	14M630-08S	Dough Hook	Stainless Steel
SM25028	13M640-08	Clamping Block	
SM25029	14M850-01	Bowl Roller Bolt	
SM25030	15ZCL6200VV	Bearing	
SM25031	14M840-01	Bowl Roller	
SM25032	15BSLHY01	Outrigger Screw	
SM25033	14D9016150-01	Foot Pad	
SM25034	11M620-09	Bowl	
SM25035	16MDL25-8	Motor	200V-60HZ-3PH 2.2KW
	16MDL25-11-0	Motor	220V-50HZ-1PH 2.2KW
	16MDL25-1-01	Motor	380V-50HZ-3PH 2.2KW
	16MDL25-5	Motor	415V-50HZ-3PH 2.2KW
	16MDL25-6	Motor	440V-50HZ-3PH 2.2KW
SM25036	14M190-03	Transmission Shaft	
SM25037	14M200-03	Bush for Transmission Shaft	
SM25038	14M560-06	Rotating Plate	
SM25039	14M530-04	Bearing Housing for Rotating Plate	

SM25040	15LZLHD3	Front Castor	
SM25041	15LZLH3	Rear Wheel	
SM25042	15ZCL6002VV	Bearing	
SM25043	14M590-03	Pulley for Rotating Plate	
SM25044	15PDL1390	Belt	RECMF-990
SM25045	14M260-04	Bottom Pulley	(For Transmission Shaft)
SM25046	14M371-01	Spacer for Main Shaft	
SM25047	14M220-04	Top Bearing Housing	(For Transmission Shaft)
SM25048	14M142-01	Outrigger Bolt	
SM25049	14M140-06	Support Strut for Outrigger	
SM25050	14M180-07	Shaft for Rear Wheel	
SM25051	13M830-01	Bowl Roller Cover	
SM25052	14M461-02	Fixing Piece for Top Cover	
SM25053	14M471-02	Fixing Piece for Top Cover	
SM25054	14M325-03	Motor Pulley	
SM25055	16BXSZD	Fuse Seat	
SM25056	16DZP280101	Connector	
SM25057	11M290-06	Adjusting Plate for Motor	5T*70*130
SM25058	11M870-09	Rear Cover for Machine	1.5*317*476 SPCC
SM25059	14M381-01-0	Main Shaft Pulley	
SM25060	14M670-05	Adjusting Wheel Mount Clip	LEFT
SM25061	14M680-05	Adjusting Wheel Mount Clip	RIGHT
SM25062	14M700-02	Adjusting Wheel for Bowl Cover	
SM25063	14M710-02	Adjusting Wheel for Microswitch	
SM25064	14M810-08	Bracket for Safety Cover	
SM25065	12M040-04	Bottom Plate for Microswitch	SUS304 2t*54*70
SM25066	11M425-01	Plate	Q235
SM25067	14M429-01	Wheel	
SM25068	15ZCL6004VV	Bearing	
SM25069	11M090-08D	Bracket for Front Castor	
SM25070	12M472-06	Fixing Piece for Control Panel	SPCC 1.5t*76*246
SM25071	14M250-06-0	Pulley for Transmission Shaft	
SM25072	15ZCL6205VV	Bearing	
SM25073	14M845-01	Watertight Cover	
SM25074	12M860-02	Fixing Piece for Bowl Cover	SUS304 2t*25*49
SM25075	15ZCL6205VV	Bearing	
SM25076	15ZCL6006VV	Bearing	
SM25077	14D9016150-03	Bush	
SM25078		Stainless Steel Gasket	
SM25079	16MKCNI-18	Interlock	